



STAINLESS WORKS
MANUFACTURING

FOOD PROCESSING SYSTEMS

P.O. Box 116 Watsonville, CA 95077 831-728-5097 877-722-0385 FAX 831-722-0395

www.stainlessworksmfg.com

TW-120 - 2 Tote Washer System

GENERAL PERFORMANCE

20 to 30 Totes per minute
(adjustable) line Speed with
Standard Totes
(23 1/2" L x 20" W x 13 1/4" D)
(tote shown)

40 High pressure spray
nozzles encompass the
Tote in the wash
Chamber

wash chamber



Water tight
access doors
both sides



Electrical panel
controls the main
conveyor drive and
water pump

Large capacity water
reservoir with
automate
fill feature
(133 Gallons)

Large discharge
valve for quick
tank emptying
and cleaning

filter system

- Easy Clean
- Fast visual Inspection

3 hp Stainless
water pump
unit

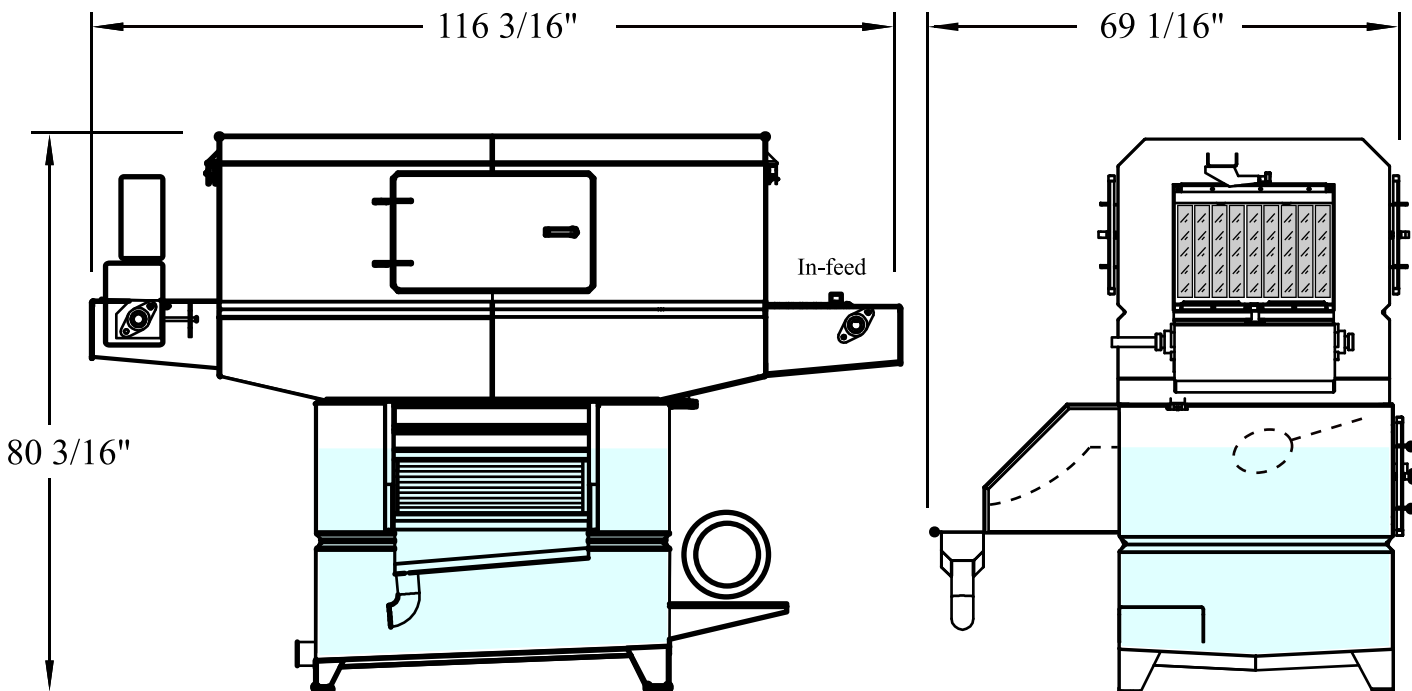


New Tote Washer from Stainless Works Manufacturing

The new Tote washer from Stainless Works Manufacturing is an efficient, automated tote cleaning system for your fast pace processing operation. It can pressure wash up to 30 trays per minute through variable speed conveyor and water pump output. The wash chamber contains 40 high pressure spray nozzles from four looped spray bars virtually encompassing the totes as they pass through the wash chamber. Water tight doors and flex curtains contain over spray to a minimum and the large capacity water reservoir (133 gallons) assures hours of clean operations. The water level is automatically maintained through a float valve system and a large water tight door allows access to the tank for easy maintenance. Our unique "Hydro-sieve" filter system is located conveniently outside of the tank for quick on site visual inspection and easy cleaning. The electrical panel controls the conveyor line speed as well as the water pump output and has an emergency stop feature. The tote track guide system is adjustable and will accept totes up to 21" wide by 14" high. This is an all stainless steel construction for wash down compatibility. For more information Contact SWM today at (877) 722-0385 or (831) 722-0385 or visit our New! web site www.stainlessworksmfg.com

Related products to consider:

- **In-feed conveyor;** transport totes to wash chamber In-feed.
- **Take-away conveyor;** transport rinsed totes from wash chamber to be off-load.



GENERAL FOOTPRINT

Call for an application evaluation today 877-772-0385 / FAX 831-722-0395